

## CRJ-01



### General Description

Coax rotary joint also could be called high frequency slip ring or connector, which is used for continuous rotation device to transmit hi-frequency signal between fix part and rotary part. This kind of rotary joint can be an element which installed on the cable or instrument as transmitting or breaking the line of electrical connections. The max frequency range reach up to 40GHz (or higher ) analog signal and high speed digital signal.

### Features:

1. Small size & light weight
2. Channels could be up to 18
3. Frequency range can reach to 40GHz or higher
4. Low attenuation loss and low wear
5. Can not be used in high work speed application
6. Longer life time & maintenance free

### Option:

1. Channels
2. Electrical part combines with coax rotary joint
3. Support broadband signal and SDI signal
4. Cable length and size
5. 50Ω and 75Ω impedance are optional

### Application:

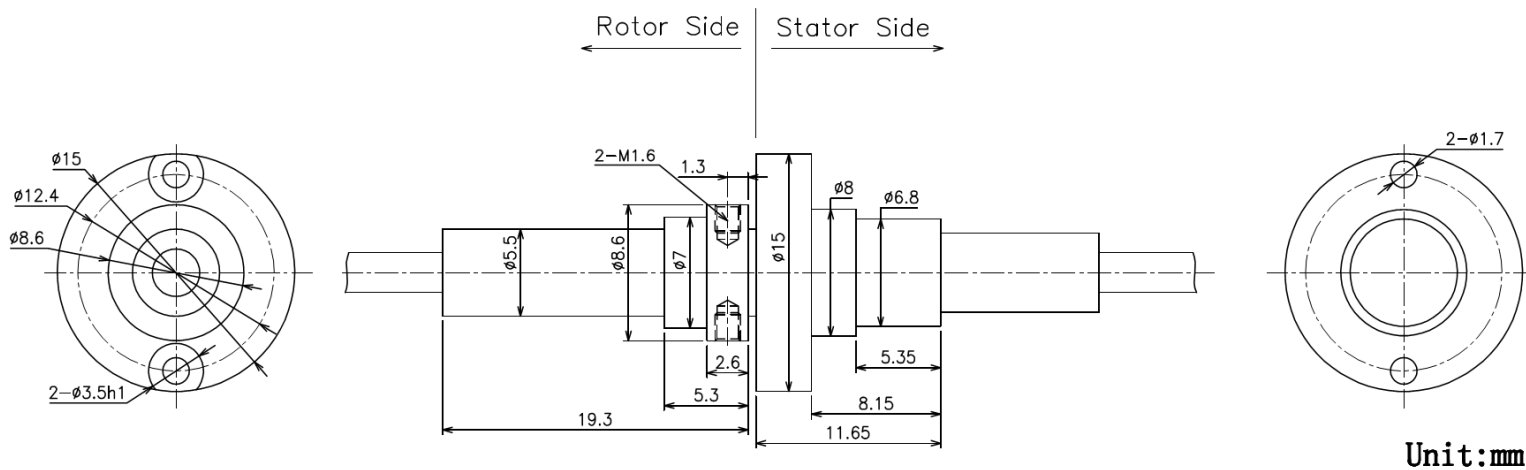
1. Radar & antenna
2. Satellite communication system
3. Analog high frequency electronic system
4. CCTV & video monitoring device
5. Military system equipment

## Specification:

Specification	
Channel	1 channel
Frequency Range	0-3GHz
Specific Impedance	50Ω
Average Loading Power	100W @ 2GHz 60W @ 3GHz
Insulation Resistance	≥1000MΩ @ 500V
Dielectric Strength	≥1000V @ 50Hz
Voltage Rating	380VAC/DC
Contact Materials	Gold to gold
Insertion Loss	< 1.5dB @ 3GHz
VSWR	≤1.45dB Max
VSWR-WOW	0.1dB Max
Phase WOW ( Max )	1 degree
Pull Force	10N
Work Temperature	-20 C -+60 C
Work Humidity	60%RH or higher
Work Speed	60RPM Max
Housing Material	Brass/ Zinc plating
Lead Wire Size	RG316
Lead Wire Length	Standard 250mm
Protection	IP54

## Drawing:

2



If you have specific customized requirement, please feel free to consult us so that our sales engineer could recommend the most suitable product to you for you reference.