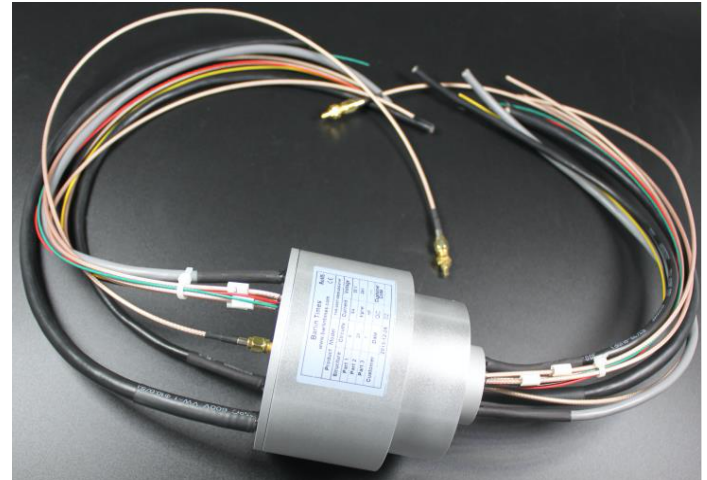


THR-025T-0210-01S

General Description

HDMI is a kind of digital video or audio interface technology, which especially suit for video transmission, also audio and video signals can be transmitted together. The max transmission rate could be reach up to 18Gbps or higher. No more than 13 simulative transmission lines could be replaced by only one HDMI transmission line that will efficiently solve the problem of wires twining together behind the wiring system. The HDMI slip ring that produced by Barlin Times on the base of HDMI connector can complete data transmission between rotary and the stationary structure, which enjoys the main feature of longer life time, maintenance free, no lubrication and so on, also adopts advanced standard foreign electroplating and military degree surface processing technique to meet special demand of every customer.



Features:

1. Transmit 720p, 1080p, 1080i video signal
2. Compatible with HDMI v.1.4 and DVI
3. Accurate data transmission without error code and lose
4. Reliable hi-frequency and large capacity data transmission
5. Advanced foreign electroplating technique
6. Integrate internally other signals and current rings
7. Very long life time and maintenance free

Option:

1. Current & Voltage & Work speed
2. Shape, size & signal types
3. Connector type & cable length and size
4. Single channel or Multi-channels design
5. Protection degree

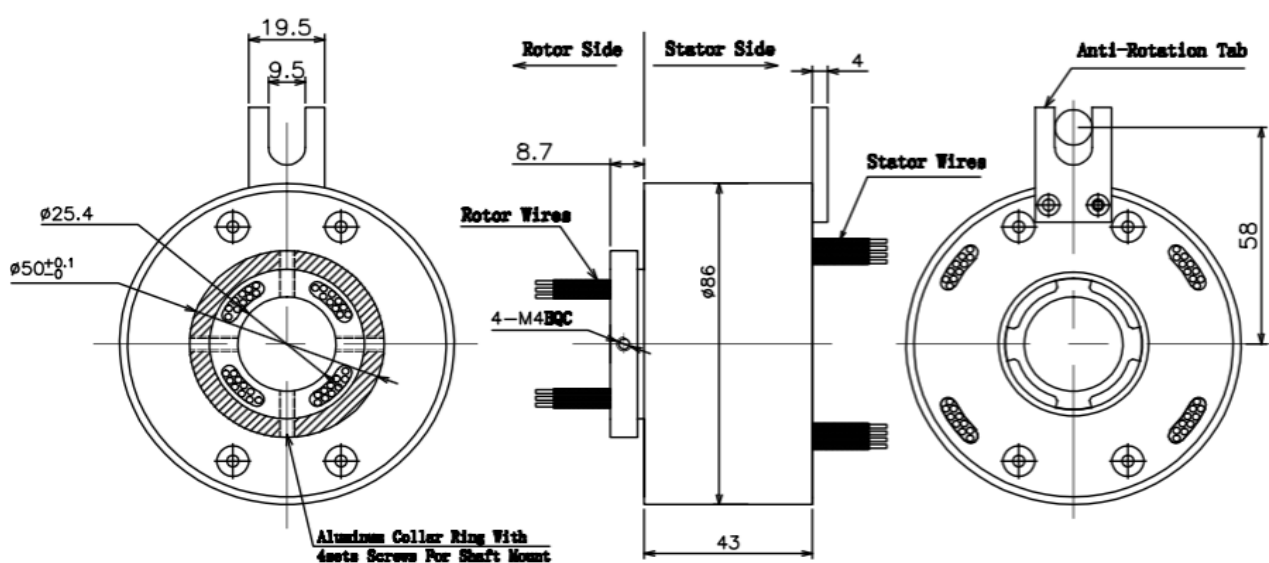
Application

1. HD video monitoring device
2. Industrial automation control system
3. Serial communication

Specification:

Specification	
HDMI Channels	1
Circuits & Current	2 Circuits @ 10A
Dimension	25*86*43mm(ID*OD*L)
Impedance	75Ω
Work Speed	0-300rpm
Work Temperature	-20°C + 80°C
Work Humidity	60%RH or higher
Voltage Rating	380VAC/DC
Dielectric Strength	500MΩ@500VDC ≥1000VAC@50Hz between each circuit
Insulation Resistance	1000MΩ@500VDC
Contact Materials	Precious metal
Lead Wire Size	AWG17 Teflon® UL
Lead Wire Length	80mm
Housing Materials	Aluminum Alloy
Protection	IP54 or higher

Drawing:



If you have specific customized requirement, please feel free to consult us so that our sales engineer could recommend the most suitable product to you for your reference.