

THC-080T-05100

General Description

Carbon brush also could be called electrical brush as a rotating contact component, which is widely used in many of electrical equipment applications. As per our experience in the slip ring field, carbon brush design is still receiving high welcome from customer in different industries, so Barlin Times spent much time to develop more and more latest design to satisfy with strict requirement of each customer in related field. Through our continuous test and inspection, carbon brush type slip ring launched into market successfully and get a good quality feedback from our customers.



Features:

1. Good commutative performance and longer life time
2. Reliable conduction and excellent lubricity
3. Big size and current could be up to 60A or higher
4. Maintenance free and low resistance
5. Power and signal data combination

Option:

1. Materials (Including contact or housing materials)
2. Appearance & Shape (As per your customization)
3. Encoder and connector
4. Lead wire length and size
5. Circuits & current
6. Installation method
7. Flange and through hole

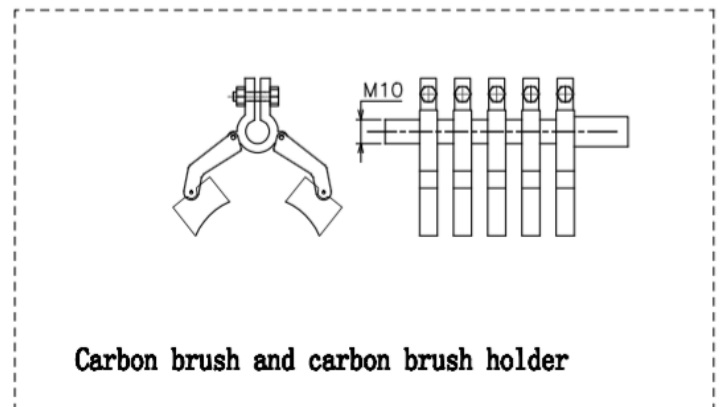
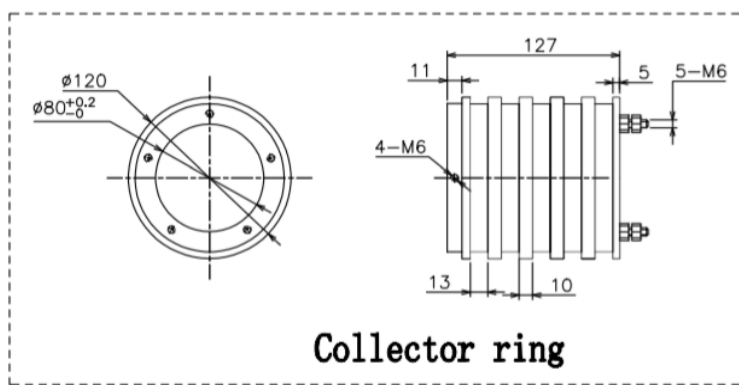
Application

1. Heavy machinery
2. Packing equipment
3. Wind turbine generator
4. Manufacturing and control machine
5. Test instrument
6. Military equipment

Specification:

Specification	
Circuits	5
Current	100A
Connecting Method	Binding Post
Rotation Way	Flange installation
Work Speed	0-50rpm
Work Temperature	-20°C ~ + 60°C
Work Humidity	/
Voltage Rating	380VAC
Dielectric Noise	Max 70mohm@6VDC,50mA (50rpm)
Insulation Resistance	500MΩ@500VDC
Contact Materials	Cooper graphite
Lead Wire Size	M6
Lead Wire Length	/
Housing Materials	No housing
Protection	IP00

Drawing:



If you have specific customized requirement, please feel free to consult us so that our sales engineer could recommend the most suitable product to you for your reference.